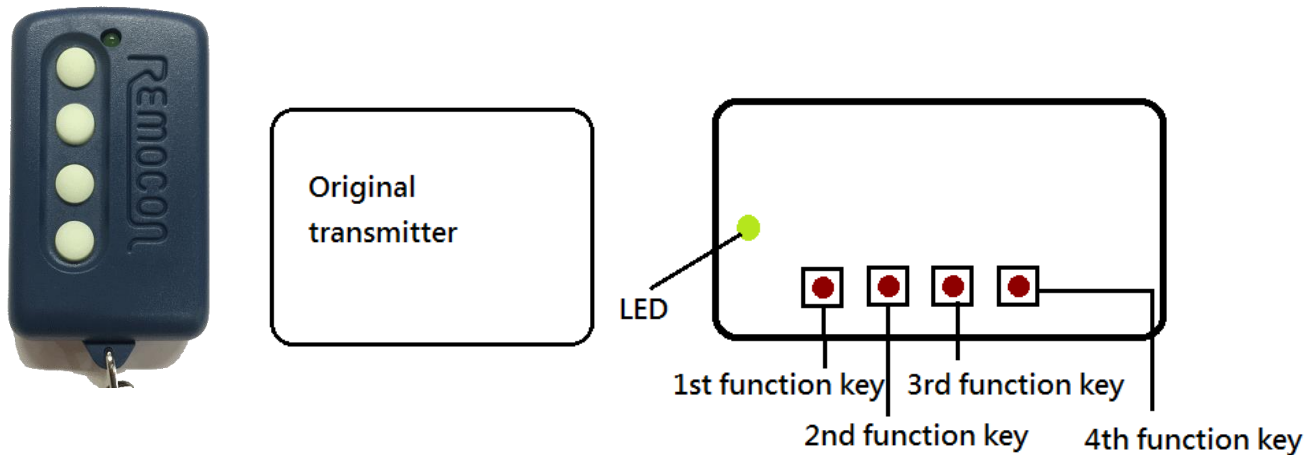


# Procedures of Cloning an Existing Remote to RMC-610



**Note: This model is only for copying fixed code remotes with 434MHz. If the original remote is Hopping code, you will fail to copy.**

- 1) . Place the two remotes within 2 cm of each other. Press the button you want to save and any other button of RMC-610 **at exactly same time** until the LED light flashes 4 times.
- 2). Keep holding the button you want to save and release another button of RMC-610. Hold the button of original remote that you want to copy until the LED of RMC-610 flashes 3 times.
- 3). Repeat above 1). & 2). steps to copy the rest buttons to finish the copying procedure.

*P.S. If you did not know the existing remote is hopping or not, you can try to copy one button and see whether the LED of REMOCON remote flash 3 times. Do this to make sure that existing remote is OK to be copied.*