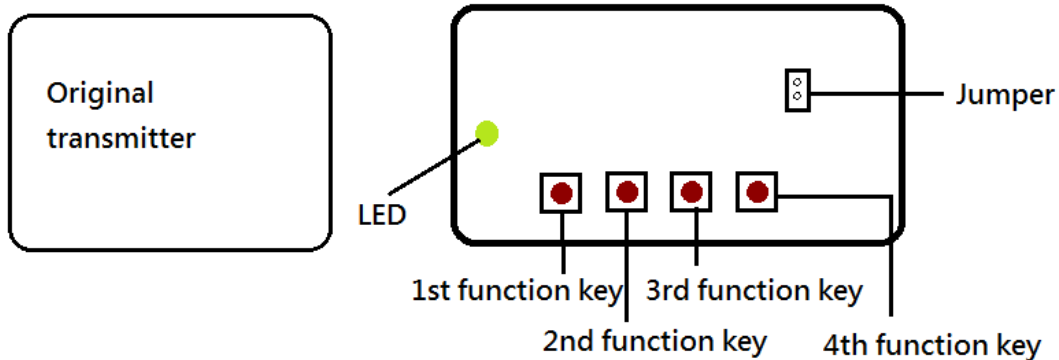
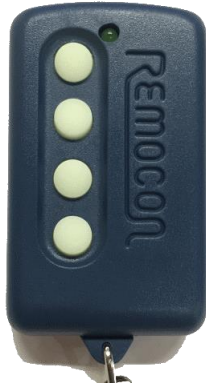


Procedures of Cloning an Existing Remote to RMC-610



Note: If the existing remote is code hopping you will not be able to clone it successfully.

- 1). Place the REMOCON remote and existing remote within 2 cm of each other.
Press and hold the button of existing remote that you want to copy from and press and hold the button of REMOCON remote that you want to copy to and wait until the LED of REMOCON remote flashes 3 times. Repeat above step for the rest buttons you wish to copy.
- 2). When you finish it, remove jumper and place it in a way that only one leg is connected.
(This can prevent you from losing your jumper next time you want to program the remote.)
- 3). Please make sure only to program remotes in areas far from electrical interference.
Otherwise, the remote may program incorrectly.

P.S. If you did not know the existing remote is hopping or not, you can try to copy one button and see whether the LED of REMOCON remote flash 3 times. Do this to make sure that existing remote is OK to be copied.